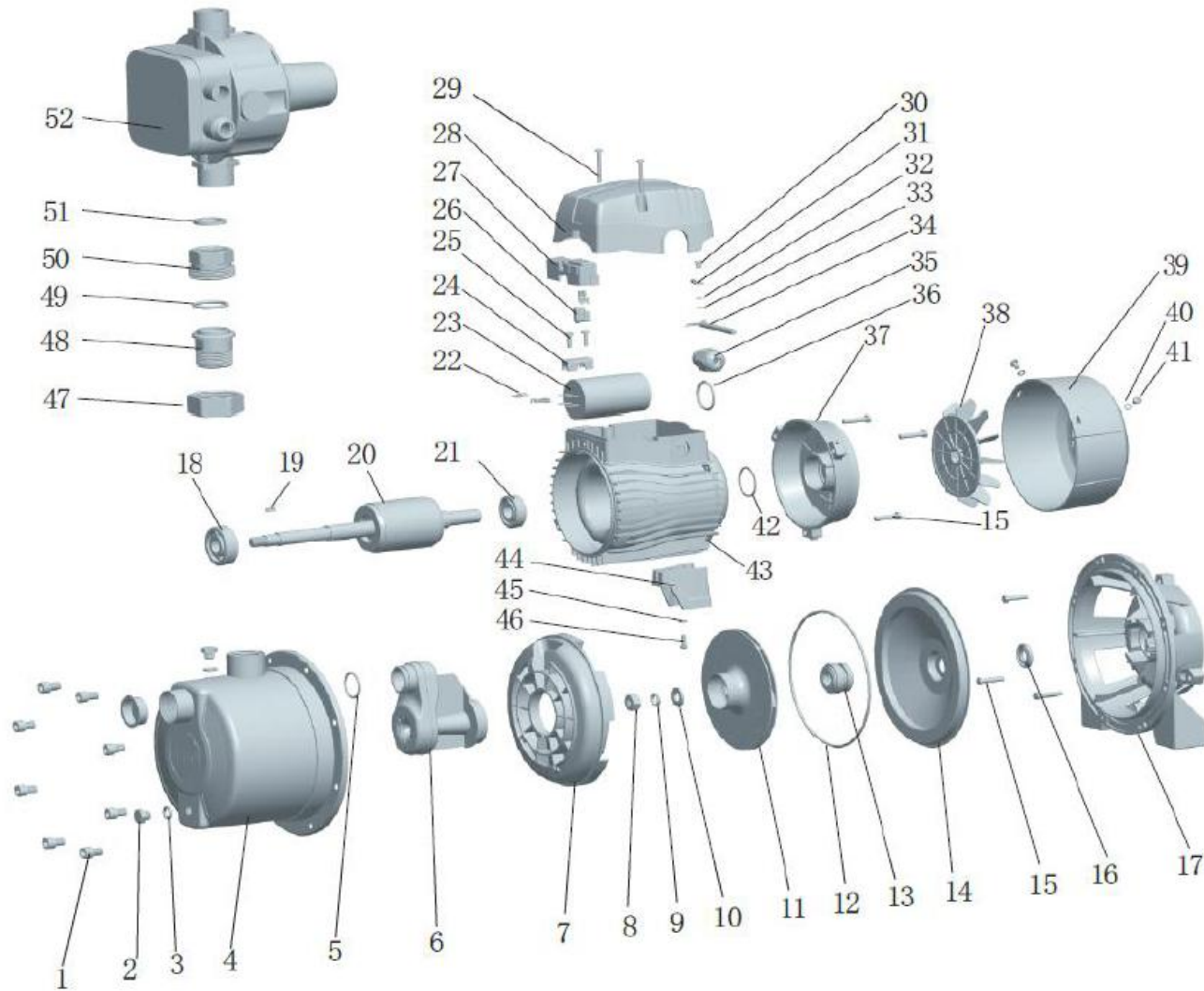


PARTS DRAWING FOR BIA-INOX60S2M



802801 BIA-INOX60S2M						802801 BIA-INOX60S2M							
Item	Quant.	Pronto	Item No.	Description	In Contact with Water	Material	Item	Quant.	Pronto	Item No.	Description	In Contact with Water	Material
1	8	804065	BIA-INOX60S2-1	BOLT M6*12		SS 201	27	1	804039	BIA-INOX60S2-27	TERMINAL BOARD INOX60S2MPCX		PC
2	2	804064	BIA-INOX60S2-2	DRAIN PLUG	YES	BRASS	28	1	804038	BIA-INOX60S2-28	TERMINAL BOX COVER		PC/ABS
3	2	804063	BIA-INOX60S2-3	ORING 8.2*1.9	YES	NBR	29	4	804037	BIA-INOX60S2-29	SCREW SELF TAPPING M4*32		SS 304
4	1	804062	BIA-INOX60S2-4	CASING INOX60S2MPCX	YES	SS 304	30	1	804036	BIA-INOX60S2-30	SCREW SELF TAPPING M4*8		SS 304
5	1	804061	BIA-INOX60S2-5	ORING 26.3*2.2	YES	NBR	31	1	804035	BIA-INOX60S2-31	END TERMINAL 4.2D		
6	1	804060	BIA-INOX60S2-6	EJECTOR	YES	PP0-GF30	32	1	804034	BIA-INOX60S2-32	WASHER D4		65MN STEEL
7	1	804059	BIA-INOX60S2-7	DIFFUSER	YES	PP0-GF30	33	1	804033	BIA-INOX60S2-33	WASHER LOCK D4		Q235
8	1	804058	BIA-INOX60S2-8	HEX NUT M10	YES	SS 304	34	1	804032	BIA-INOX60S2-34	CABLE 3G1 *2.35 H05 PP		NEOPRENE
9	1	804057	BIA-INOX60S2-9	WASHER SPRING 8MM	YES	SS 304	35	1	804031	BIA-INOX60S2-35	CABLE GLAND		
10	1	804056	BIA-INOX60S2-10	WASHER FLAT 8MM	YES	SS 304	36	1	804030	BIA-INOX60S2-36	ORING 40*3.1		NBR
11	1	804055	BIA-INOX60S2-11	IMPELLER INOX60S2MPCX	YES	SS 304	37	1	804029	BIA-INOX60S2-37	END PLATE INOX60S2MPCX		ZL102
12	1	804054	BIA-INOX60S2-12	O RING 158.8*3.1	YES	NBR	38	1	804028	BIA-INOX60S2-38	FAN		PP-GF10
13	1	804053	BIA-INOX60S2-13	MECHANICAL SEAL 301-14	YES	CARBON/CERAMIC/SS 304/NBR	39	1	804027	BIA-INOX60S2-39	FAN COVER		PP-GF10
14	1	804052	BIA-INOX60S2-14	SEAL PLATE INOX60S2MPCX	YES	SS 304	40	1	804026	BIA-INOX60S2-40	WASHER FLAT 4*8*0.8		SS 304
15	3	804051	BIA-INOX60S2-15	TIE BOLT M5*22		STEEL	41	3	804025	BIA-INOX60S2-41	SCREWS CROSS RECESSED PAN HEAD M4*6		SS 201
16	1	804050	BIA-INOX60S2-16	OIL SEAL 40*35*7 INOX60S2MPCX		NBR	42	3	804024	BIA-INOX60S2-42	SPRING WASHER D35		65MN STEEL
17	1	804049	BIA-INOX60S2-17	PUMP SUPPORT INOX60S2MPCX		ALUMINIUM	43	1	804023	BIA-INOX60S2-43	MOTOR HOUSING INOX60S2MPCX		
18	1	804048	BIA-INOX60S2-18	BEARING 6302ZZ/Z2			44	1	804022	BIA-INOX60S2-44	BRACKET INOX60S2MPCX		PA6 GF25
19	1	804047	BIA-INOX60S2-19	SHAFT KEY A5*14	YES	SS 304	45	1	804021	BIA-INOX60S2-45	WASHER D4		C35
20	1	804046	BIA-INOX60S2-20	ROTOR	YES	SS 304	46	1	804020	BIA-INOX60S2-46	BOLT M4*8		C35
21	1	804045	BIA-INOX60S2-21	BEARING 6202ZZ/Z2			47	1		WHI-UNIONMPCXSS	UNION M/F TO SUIT MPCX	YES	SS 304
22	1	804044	BIA-INOX60S2-22	CABLE CONNECTOR D6.3		H62	48	1		WHI-UNIONMPCXSS	UNION M/F TO SUIT MPCX	YES	SS 304
23	1	804043	BIA-INOX60S2-23	CAPACITOR 12UF/450V			49	1		WHI-UNIONMPCXSS	UNION M/F TO SUIT MPCX	YES	SS 304
24	1	804042	BIA-INOX60S2-24	CABLE CLIP		PC+ABS	50	1		WHI-UNIONMPCXSS	UNION M/F TO SUIT MPCX	YES	SS 304
25	1	804041	BIA-INOX60S2-25	SCREW SELF TAPPING M4*12		SS 304	51	1		WHI-UNIONMPCXSS	UNION M/F TO SUIT MPCX	YES	SS 304
26	1	804040	BIA-INOX60S2-26	JACKET			52	1	711942	WHI-SK20PPHS2	ELECTRONIC CONTROLLER	YES	APPROVED